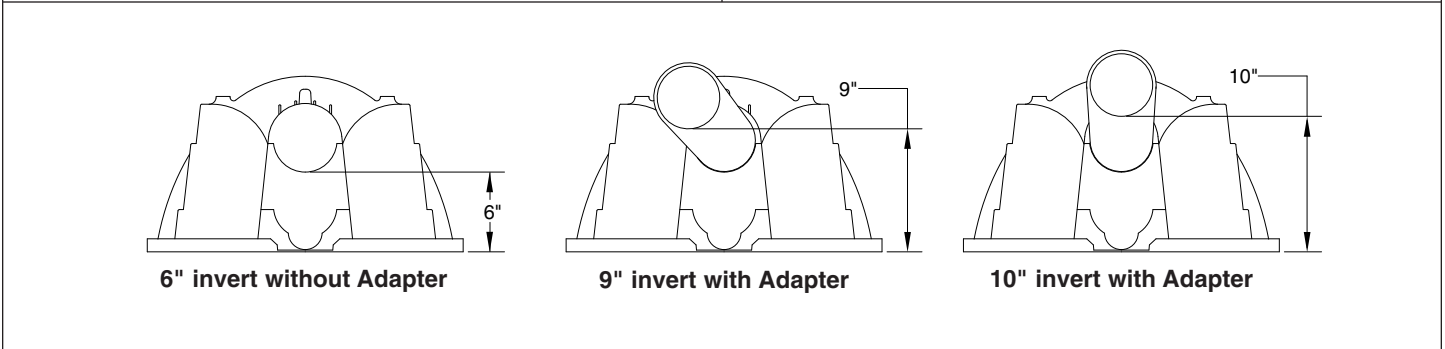
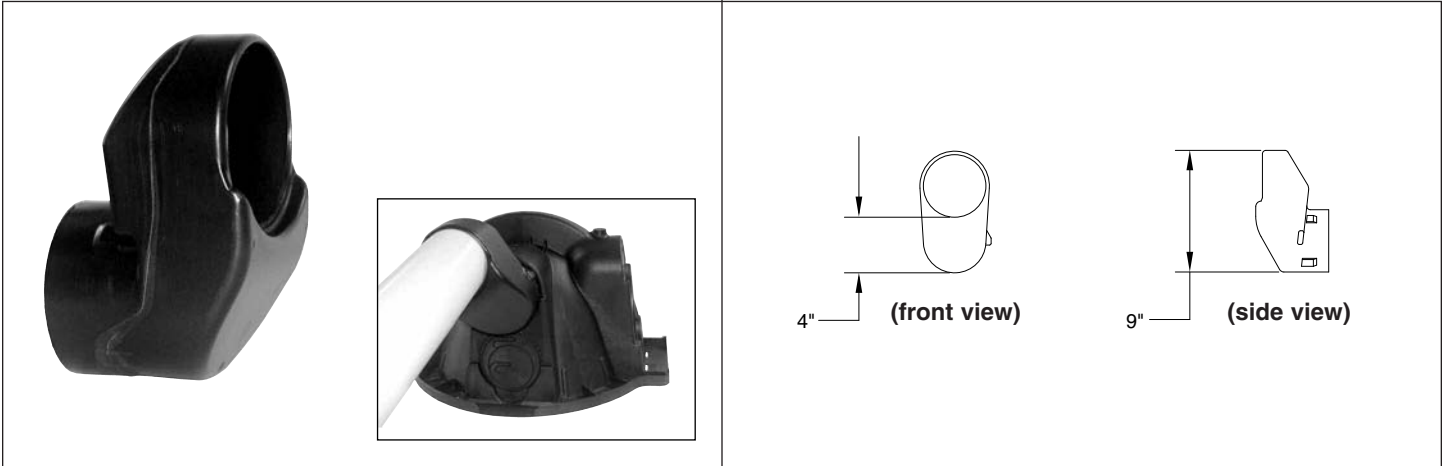


The MultiPort™ Equalizer® 36 Invert Adapter™



The MultiPort Equalizer 36 Invert Adapter is designed for use with the Quick4 Equalizer 36 MultiPort end cap. The unit allows for a change in invert height from 6" to either 9" or 10". The Invert Adapter easily fits into all three top inlet/outlets of the end cap to provide more installation flexibility.

Installation Instructions

NOTE: For complete installation instructions refer to Infiltrator Water Technologies' Quick4 Equalizer 36 installation manual. Install chambers and end caps accordingly.

To Change Invert Height

- 1** Pull the appropriate tab off the top tear-out seal on the MultiPort end cap to create an opening.
- 2** Insert the MultiPort Equalizer 36 Invert Adapter into the opening on the end cap.
- 3** Shift the Invert Adapter to the off-center position to achieve the 9" invert height or bring it to the horizontal position to achieve the 10" invert height.
- 4** Once the Invert Adapter is in the desired position, fasten it into place using two 1-inch screws.
- 5** Insert the pipe into the opening on the Invert Adapter and screw it securely into place.



INFILTRATOR®
water technologies

4 Business Park Road • P.O. Box 768
Old Saybrook, CT 06475
860-577-7000 • FAX 860-577-7001

www.infiltratorwater.com
1-800-221-4436