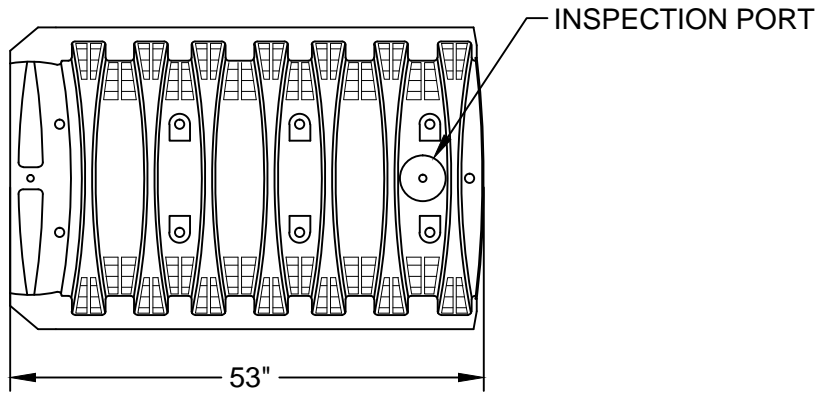
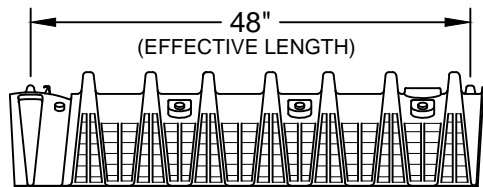


INFILTRATOR WATER TECHNOLOGIES
QUICK4 STANDARD CHAMBER
PRODUCT SPECIFICATIONS
 (NOT TO SCALE)

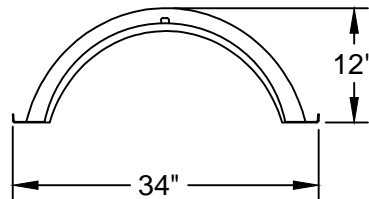
TOP VIEW



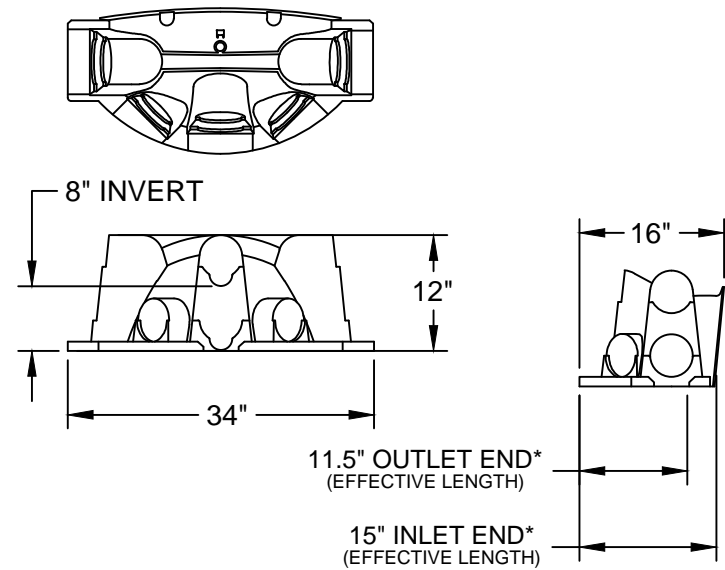
SIDE VIEW




END VIEW



QUICK4 STANDARD MULTIPORT END CAP



* ALL VIEWS = INSTALLED LENGTH.

 INFILTRATOR water technologies		
INFILTRATOR WATER TECHNOLOGIES 4 Business Park Rd. Old Saybrook, CT 06475 (800) 221-4436		
QUICK4 STANDARD CHAMBER PRODUCT SPECIFICATIONS		
Drawn by: EMB	Date: 05/21/2015	
Scale: NOT TO SCALE	Checked by: DFH	Sheet: 1 of 1