

# Installation Instructions for EZflow Systems in Arkansas



The Arkansas Product Review Committee and Department of Health have evaluated the **EZflow** 1201P-GEO specifications and a product sample. This product has been approved for use as a substitute for conventional pipe and gravel in absorption trenches. The approval of the 1201P-GEO indicates that the product meets the Rules and Regulations Pertaining to Sewage Disposal Systems, Designated Representatives and Installers, Act 402 of 1977, A.C.A. 14-236-101 et seq., and with all manufacturers specifications that do not conflict with the standards. Specifically, the site and soils must be classified as suitable or provisionally suitable for a conventional system or have an acceptable percolation rate and allow for the required vertical separation to limiting soil horizons.

The absorption field product should be installed in 12 to 18 inch wide trenches with shallow trench bottom depths of 18 inches recommended. The most suitable backfill material available should be used. Clay backfill is not recommended. The backfill should be mounded over the trench to allow for settling and ensure a minimum of six inches of cover as specified by manufacturer.

## Materials and Equipment needed

- EZflow Bundles
- EZflow Internal Pipe Couplers
- End Caps if needed
- Backhoe
- Laser, Transit, or Level

## Installation Instructions

1. The **EZflow** assemblies are 12 inches in diameter by 10 feet long. The polyethylene net cylinders contain a four inch perforated pipe surrounded by EPS aggregate.

In cases where linear footage required is not in multiples of 10, the installer may (a) reduce the product to the needed length and refasten the netting to the pipe or, (b) use an additional 10 feet of product to exceed the required trench length.

*Note: The required length of drainfield is that required for a two foot wide stone trench.*

2 The plastic stretch wrap is removed before the ten foot long cylinders are placed in the trench(es).

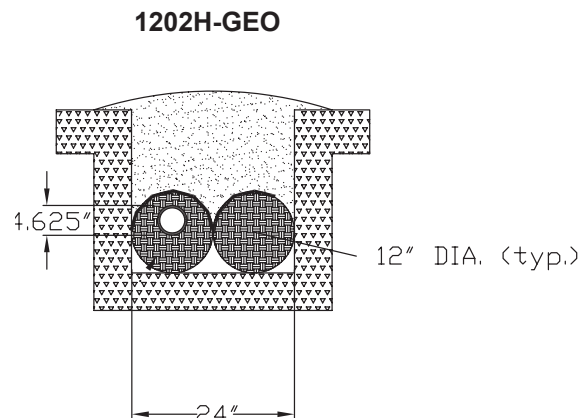
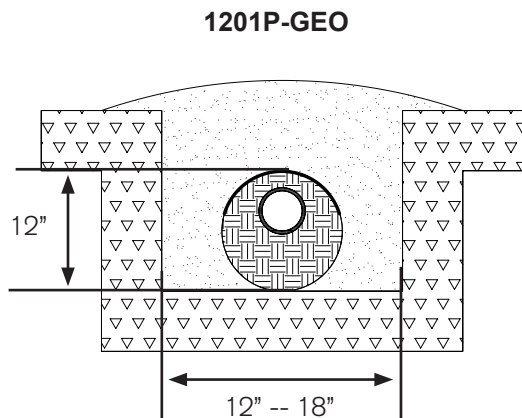
3. The top of each GEO cylinder contains a filter fabric premanufactured in between the netting and aggregate. The fabric is inserted to prevent soil intrusion. The installer shall make sure that the fabric is on top and with the 1202H-GEO configuration, that it is in contact with the fabric contained in the adjacent cylinder before backfilling.

4. The cylinders containing 4-inch perforated pipe are joined end to end with an internal coupling available from **EZflow**. The same internal coupler is used to start the trench, as it will slide inside the 4-inch PVC pipe.

5. The trench top shall be shaped to ensure surface runoff. Minimum cover over the pipe and aggregate assembly shall be 6 inches. Mounding of backfill may be necessary to ensure the required 6 inches of cover.

Repeat steps 1 thru 5 for each required trench.

## Approved EZflow Products





**INFILTRATOR<sup>®</sup>**  
systems inc.

6 Business Park Road • Old Saybrook, CT 06475 • 800.689.7759