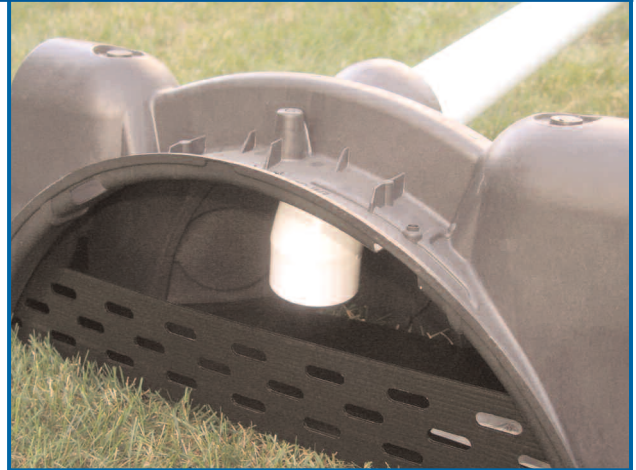
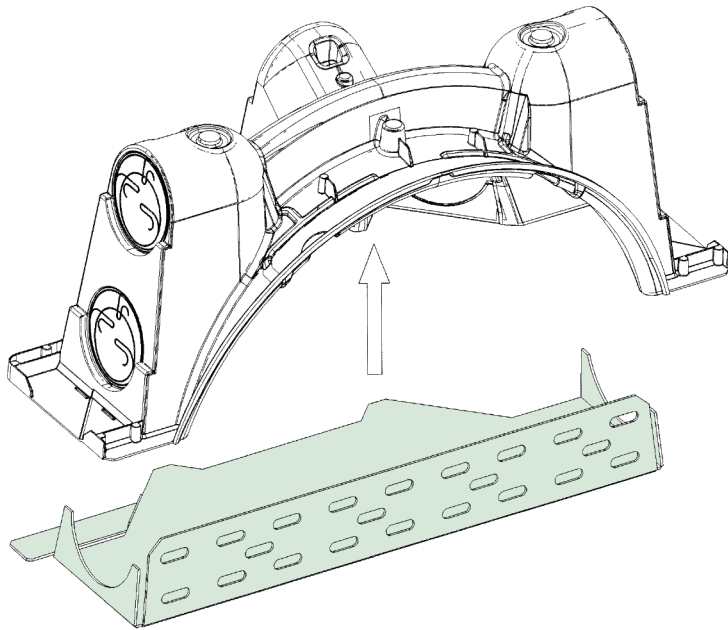


The Quick4® High Flow Splash Plate



Top View

The Quick4® High Flow Splash Plate is designed for use with the Quick4 Standard Chamber's MultiPort™ end cap. The splash plate prevents soil erosion below the invert, and can be used in conjunction with any pump or pressure system. No special tools or adhesives are needed for installation.

The High Flow Splash Plate Offers These Benefits:

- Prevents soil erosion below the invert when pump systems are cycled on
- Approved for use in the state of North Carolina
- Polyolefin construction makes it structurally sound and chemically resistant to degradation
- No special tools or adhesives needed for installation
- Use in conjunction with any pump or pressure system
- Lightweight and durable

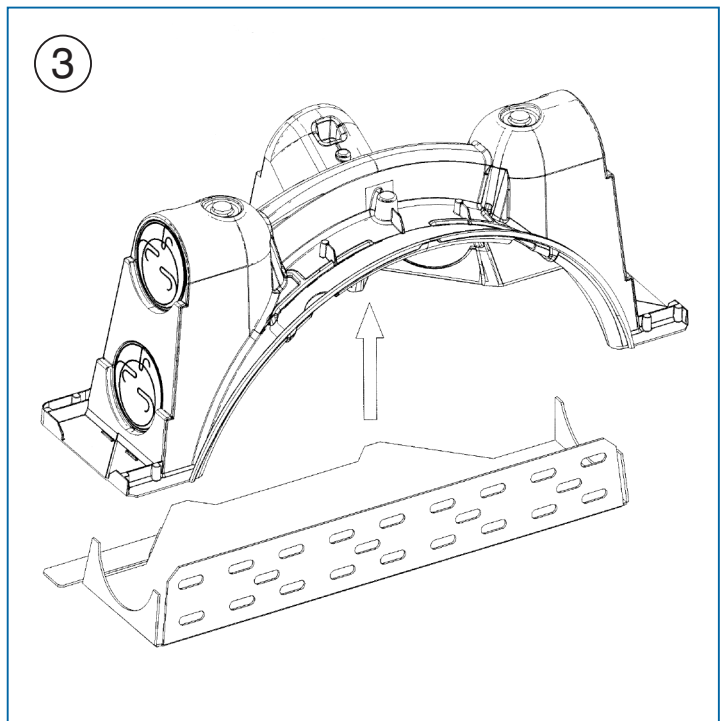
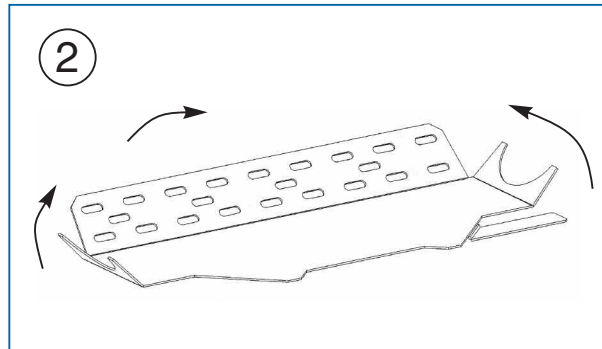
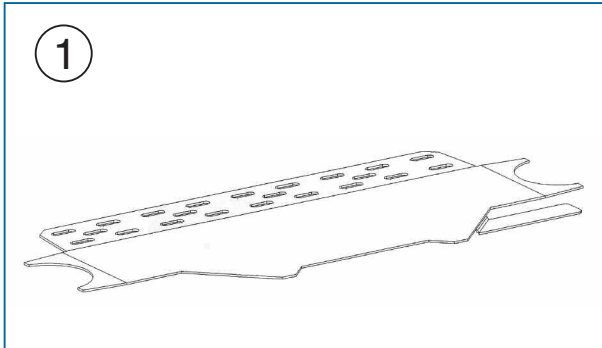
Tested and Proven with More than One Million Systems Installed

- Infiltrator is the number-one septic leachfield chamber system in the onsite industry.
- More than one million systems have been installed, with over 27 million units in-ground in all 50 states and 24 countries.
- Infiltrator's established history of performance and reliability began in 1987.
- Field surveys show that Infiltrator chamber systems, at 50% reduced sizing, perform equivalent to full-size stone and pipe systems.
- Infiltrator is ISO 9001:2000 certified and is IAPMO tested and UPC approved.

Approved in _____

The Quick4[®] High Flow Splash Plate

Installation Instructions



Quick4 High Flow Splash Plate Specifications

Size (W x L x H)6.8" x 28" x 4"

INFILTRATOR SYSTEMS, INC. STANDARD LIMITED WARRANTY

(a) The structural integrity of each chamber, end plate, wedge and other accessory manufactured by Infiltrator ("Units"), when installed and operated in a leachfield of an onsite septic system in accordance with Infiltrator's instructions, is warranted to the original purchaser ("Holder") against defective materials and workmanship for one year from the date that the septic permit is issued for the septic system containing the Units; provided, however, that if a septic permit is not required by applicable law, the warranty period will begin upon the date that installation of the septic system commences. To exercise its warranty rights, Holder must notify Infiltrator in writing at its Corporate Headquarters in Old Saybrook, Connecticut within fifteen (15) days of the alleged defect. Infiltrator will supply replacement Units for Units determined by Infiltrator to be covered by this Limited Warranty. Infiltrator's liability specifically excludes the cost of removal and/or installation of the Units.

(b) THE LIMITED WARRANTY AND REMEDIES IN SUBPARAGRAPH (a) ARE EXCLUSIVE. THERE ARE NO OTHER WARRANTIES WITH RESPECT TO THE UNITS, INCLUDING NO IMPLIED WARRANTIES OF MERCHANTABILITY OR FITNESS FOR A PARTICULAR PURPOSE

(c) This Limited Warranty shall be void if any part of the chamber system is manufactured by anyone other than Infiltrator. The Limited Warranty does not extend to incidental, consequential, special or indirect damages. Infiltrator shall not be liable for penalties or liquidated damages, including loss of production and profits, labor and materials, overhead costs, or other losses or expenses incurred by the Holder or any third party. Specifically excluded from Limited Warranty coverage are damage to the Units due to ordinary wear and tear, alteration, accident, misuse, abuse or neglect of the Units; the Units being subjected to vehicle traffic or other conditions which are not permitted by the installation instructions; failure to maintain the minimum ground covers set forth in the installation instructions; the placement of improper materials into the system containing the Units, failure of the Units or the septic system due to improper siting or improper sizing; excessive water usage; improper grease disposal; or improper operation; or any other event not caused by Infiltrator. This Limited Warranty shall be void if the Holder fails to comply with all of the terms set forth in this Limited Warranty. Further, in no event shall Infiltrator be responsible for any loss or damage to the Holder, the Units, or any third party resulting from installation or shipment, or from any product liability claims of Holder or any third party. For this Limited Warranty to apply, the Units must be installed in accordance with all site conditions required by state and local codes; all other applicable laws; and Infiltrator's installation instructions.

(d) No representative of Infiltrator has the authority to change or extend this Limited Warranty. No warranty applies to any party other than the original Holder.

The above represents the Standard Limited Warranty offered by Infiltrator. A limited number of states and counties have different warranty requirements. Any purchaser of Units should contact Infiltrator's Corporate Headquarters in Old Saybrook, Connecticut, prior to such purchase, to obtain a copy of the applicable warranty, and should carefully read that warranty prior to the purchase of Units.



INFILTRATOR[®]
systems inc.

6 Business Park Road • P.O. Box 768
Old Saybrook, CT 06475
860-577-7000 • FAX 860-577-7001

1-800-221-4436

www.infiltratorsystems.com

For technical assistance, installation instructions or customer service, call Infiltrator Systems at 1-800-221-4436.

U.S. Patents: 4,759,661; 5,017,041; 5,156,488; 5,336,017; 5,401,116; 5,401,459; 5,511,903; 5,716,163; 5,588,778; 5,839,844
Canadian Patents: 1,329,959; 2,004,564 Other patents pending.

Infiltrator, Equalizer, Quick4 and SideWinder are registered trademarks of Infiltrator Systems Inc. Infiltrator is a registered trademark in France. Infiltrator Systems Inc. is a registered trademark in Mexico. ChamberSpacer, Contour, Contour Swivel Connection, MicroLeaching, MultiPort, PolyTuff, PosiLock, QuickCut, QuickPlay, SnapLock and StraightLock are trademarks of Infiltrator Systems Inc. © 2005 Infiltrator Systems Inc. Printed in U.S.A.

Q171005ISI-1